

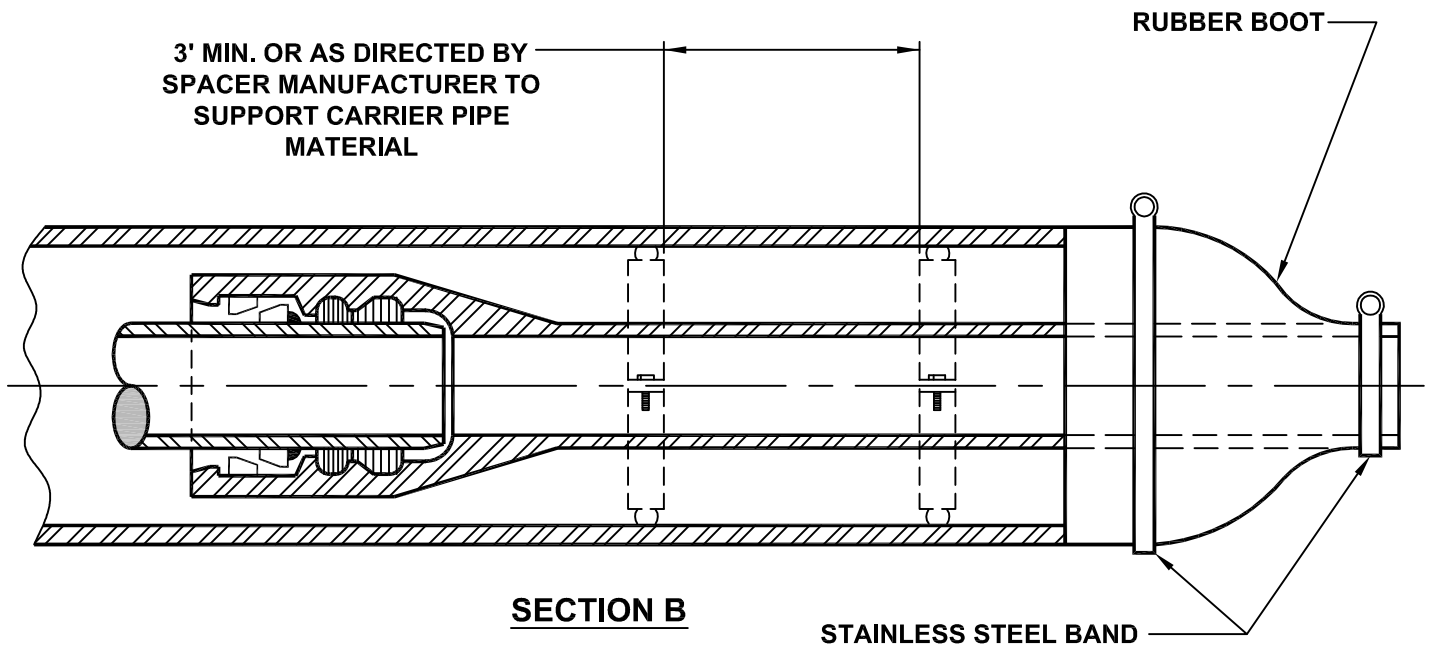
SECTIONAL PLAN A

NOTES:

ALL PIPE JOINTS INSIDE CASING PIPE SHALL BE RESTRAINED.

WALL THICKNESS OF CASING PIPE

DIAMETER (IN.)	THICKNESS (IN.)
24" OR LESS	1/4"
28" AND 32"	3/8"
42" AND LARGER	1/2"



<p>Municipal Authority Of The Township Of South Fayette 900 Presto Sygan Road Bridgeville, Pa 15017</p>		<p>STEEL CASING AND D.I. OR PVC CARRIER PIPES INSTALLED BY BORING</p>
<p>Not to scale</p>	<p>March 2014</p>	<p>Standard Detail SD-008</p>