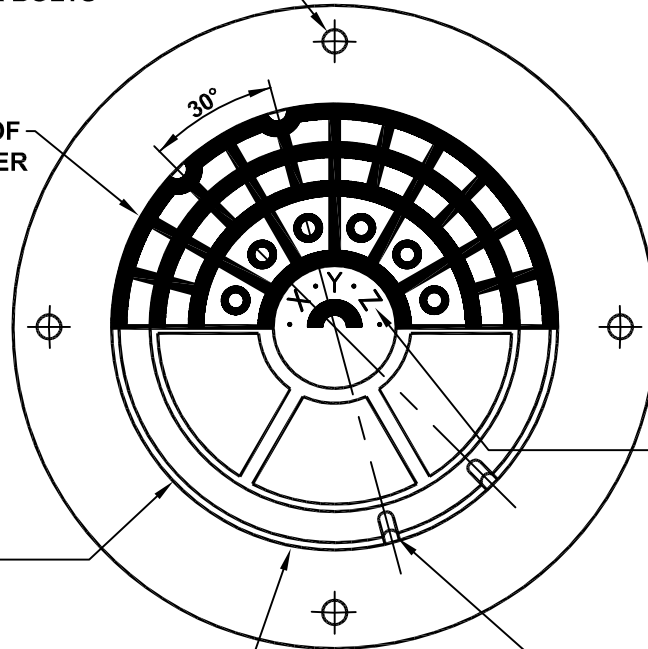


FOUR 1" DIA.  
HOLES FOR 3/4"  
DIA. ANCHOR BOLTS

**NOTE:**  
SHADED PORTION - HIGH  
UNSHADED PORTION - LOW

HALF PLAN OF  
TOP OF COVER



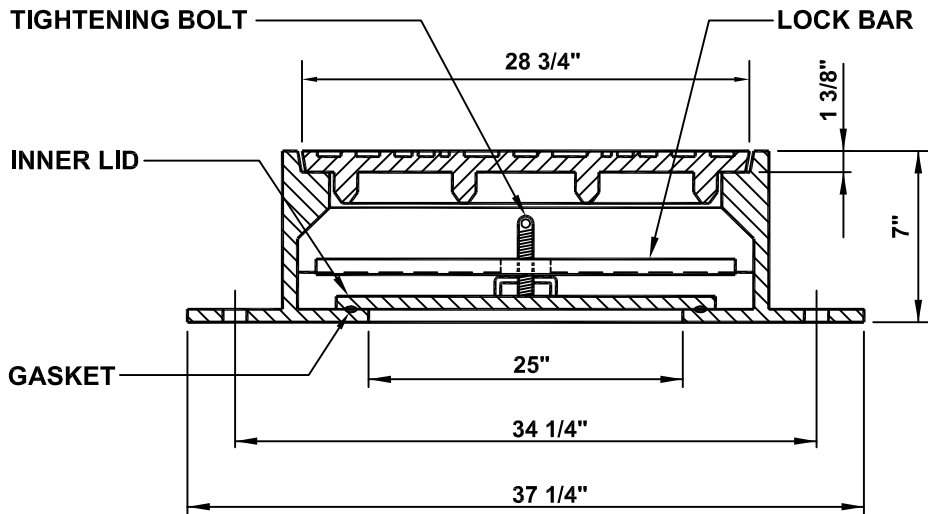
CAST IRON

NAMES, LETTERS OR  
IDENTIFICATION MARK OF USER  
TO BE CAST IN CIRCLE IN CENTER  
OF COVER AS ORDERED. LETTERS  
X, Y, AND Z USED AS ILLUSTRATION  
ONLY.

HALF PLAN OF  
UNDERSIDE OF  
COVER

BLIND PICK HOLES

**PLAN A**



**SECTION B**

<p>Municipal Authority Of The Township Of South Fayette 900 Presto Sygan Road Bridgeville, Pa 15017</p>		<p>WATERTIGHT MANHOLE FRAME AND COVER</p>
<p>Not to scale</p>	<p>March 2014</p>	<p>Standard Detail SD-019</p>