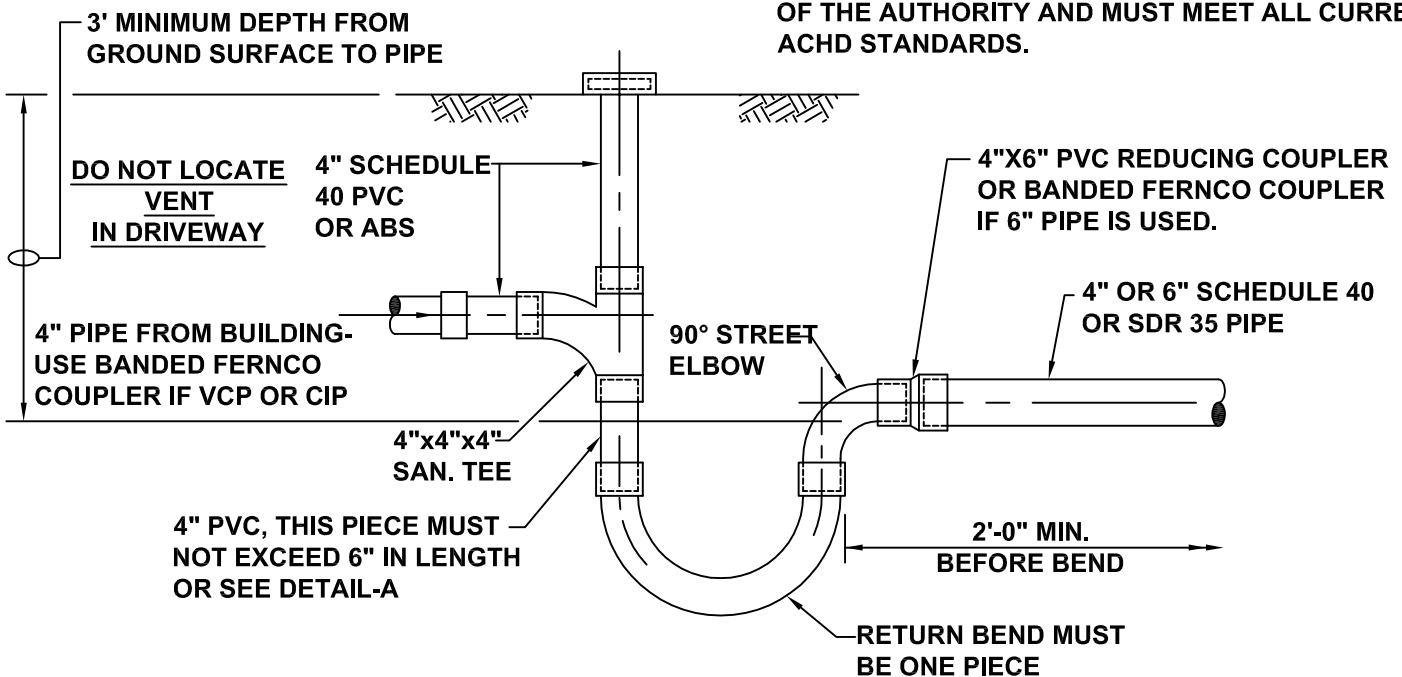


**SHALLOW BUILDING SEWER TRAP DETAIL**

**CONDENSED INSTALLATION SPECIFICATIONS**  
**SEWER SERVICE LINE AND SEWER SERVICE CONNECTIONS SHALL BE INSTALLED BY REGISTERED MASTER PLUMBER AT THE COST OF THE CUSTOMER IN ACCORDANCE WITH APPENDIX C OF THE RULES AND REGULATIONS AND DETAILED SPECIFICATIONS OF THE AUTHORITY AND MUST MEET ALL CURRENT ACHD STANDARDS.**



**TYPICAL FABRICATED PVC VENT/ TRAP ASSEMBLY**

<p><b>Municipal Authority Of The          Township Of South Fayette          900 Presto Sygan Road          Bridgeville, Pa 15017</b></p>		<p><b>BUILDING SEWER TRAP DETAILS</b></p>
<p><b>Not to scale</b></p>	<p><b>March 2014</b></p>	<p><b>Standard Detail SD-026</b></p>