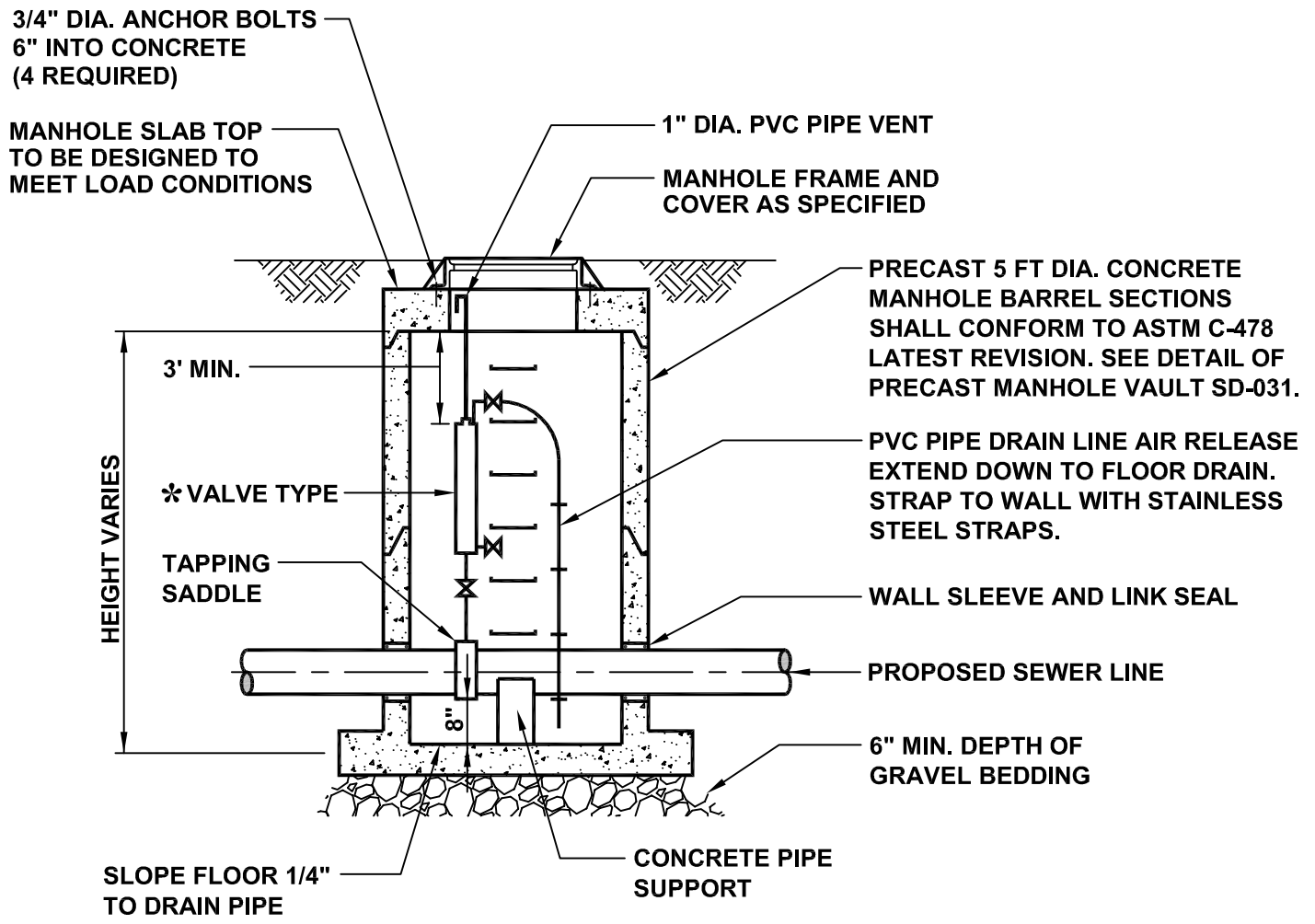


*TYPE OF VALVE INSTALLED IN THE MANHOLE AS REQUIRED BY THE ENGINEER

- 1) AIR RELEASE VALVE
- 2) AIR VACUUM VALVE
- 3) COMBINATION AIR VALVE AS SPECIFIED

PLAN 2-040-A



SECTION B

<p>Municipal Authority Of The Township Of South Fayette 900 Presto Sygan Road Bridgeville, Pa 15017</p>		<p>SEWAGE AIR AND VACUUM RELEASE VALVE AND MANHOLE</p>
<p>Not to scale</p>	<p>March 2014</p>	<p>Standard Detail SD-030</p>