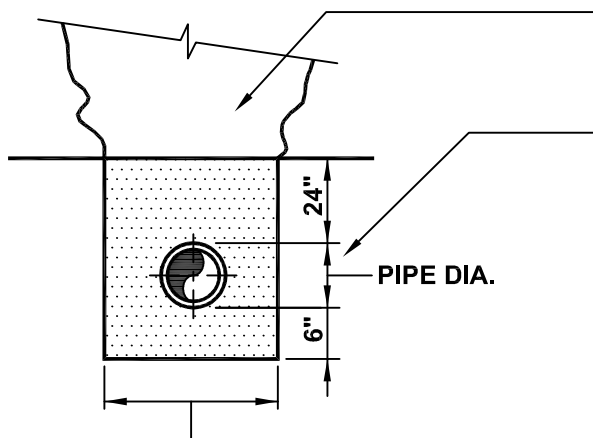


MECHANICALLY COMPACTED BACKFILL MATERIAL IN ACCORDANCE WITH THE CONSTRUCTION SPECIFICATIONS

DUCTILE IRON AND REINFORCED CONCRETE CULVERT PIPE ON NON-ROCK TRENCH BOTTOMS BELL HOLES SHALL BE EXCAVATED TO ASSURE CONTINUOUS PIPE BARREL SUPPORT FOR FULL LENGTH OF PIPE SECTIONS. TRENCH SIDEWALLS SHALL BE PLUMB WITHIN PIPE ZONE.

DETAIL A

PIPE DIA. PLUS 2' MAX.
PIPE DIA. PLUS 1' MIN.

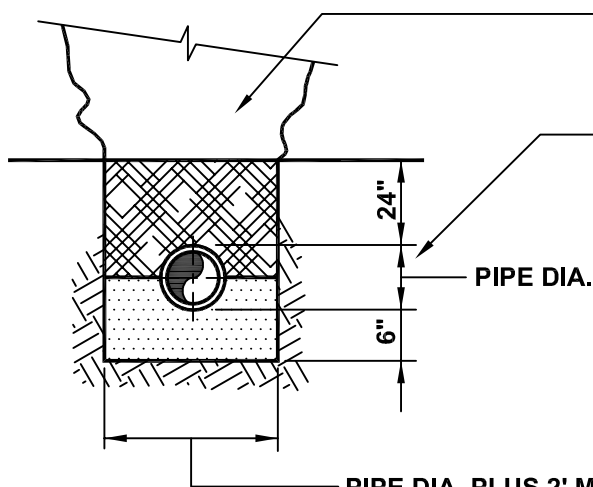


MECHANICALLY COMPACTED BACKFILL MATERIAL IN ACCORDANCE WITH THE CONTRACT SPECIFICATIONS

PVC PIPE AT ALL LOCATIONS. TRENCH SIDEWALLS SHALL BE PLUMB WITHIN PIPE ZONE

DETAIL B

PIPE DIA. PLUS 2' MAX.
PIPE DIA. PLUS 1' MIN.

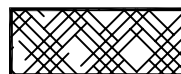


MECHANICALLY COMPACTED BACKFILL MATERIAL IN ACCORDANCE WITH THE CONTRACT SPECIFICATIONS

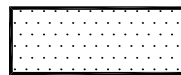
DUCTILE IRON PIPE AND REINFORCED CONCRETE CULVERT PIPE ON ROCK TRENCH BOTTOM. TRENCH SIDEWALLS SHALL BE PLUMB WITHIN PIPE ZONE.

DETAIL C

PIPE DIA. PLUS 2' MAX.
PIPE DIA. PLUS 1' MIN.



SELECTED EXCAVATED MATERIAL MECHANICALLY COMPACTED MAXIMUM SIZE ROCKS- 3"



2B CRUSHED STONE OR CRUSHED GRAVEL.

<p>Municipal Authority Of The Township Of South Fayette 900 Presto Sygan Road Bridgeville, Pa 15017</p>		<p>TRENCH PIPE ZONE DETAILS</p>
<p>Not to scale</p>	<p>March 2014</p>	<p>Standard Detail SD-001</p>