

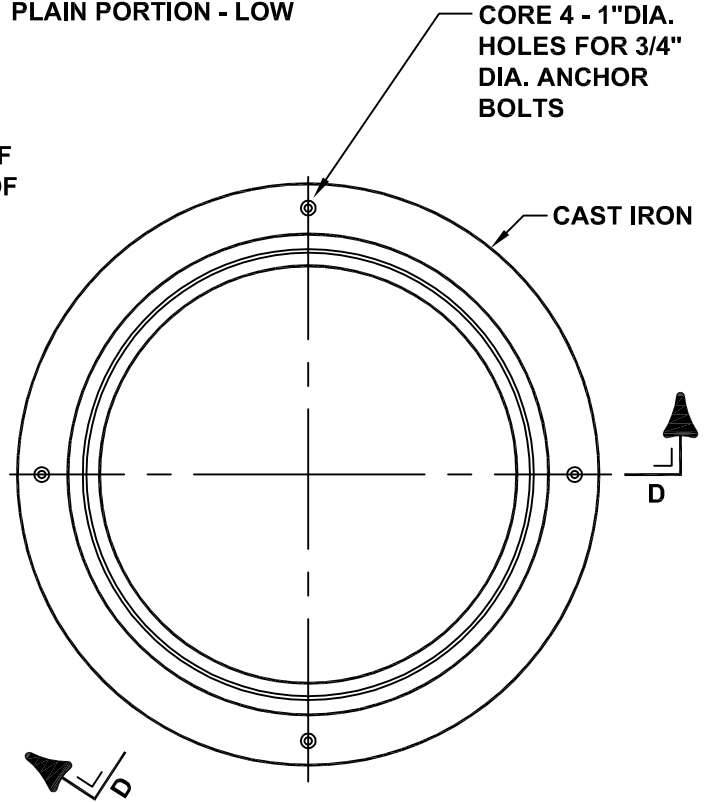
COVER PLAN A

NOTE:

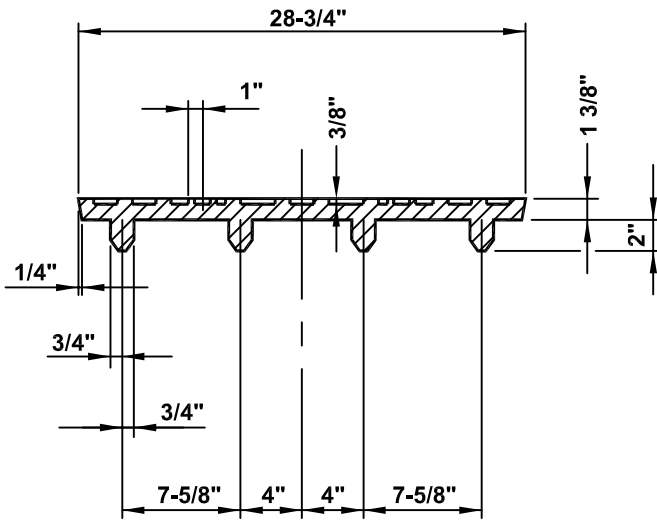
NAMES, LETTERS OR IDENTIFICATION MARK OF USER TO BE CAST IN CIRCLE IN CENTER OF COVER AS ORDERED. LETTERS X, Y, AND Z USED AS ILLUSTRATION ONLY.

NOTE:

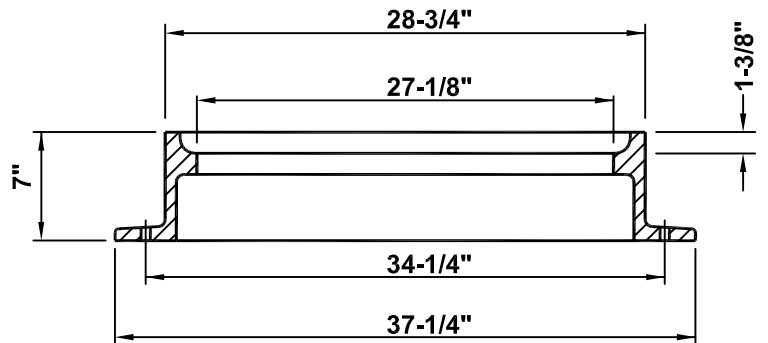
SHADED PORTION - HIGH
PLAIN PORTION - LOW



FRAME PLAN C



SECTION B



BOTTOM FLANGE - SECTION D

<p>Municipal Authority Of The Township Of South Fayette 900 Presto Sygan Road Bridgeville, Pa 15017</p>		<p>STANDARD CAST IRON MANHOLE FRAME AND COVER</p>
<p>Not to scale</p>	<p>March 2014</p>	<p>Standard Detail SD-018</p>