

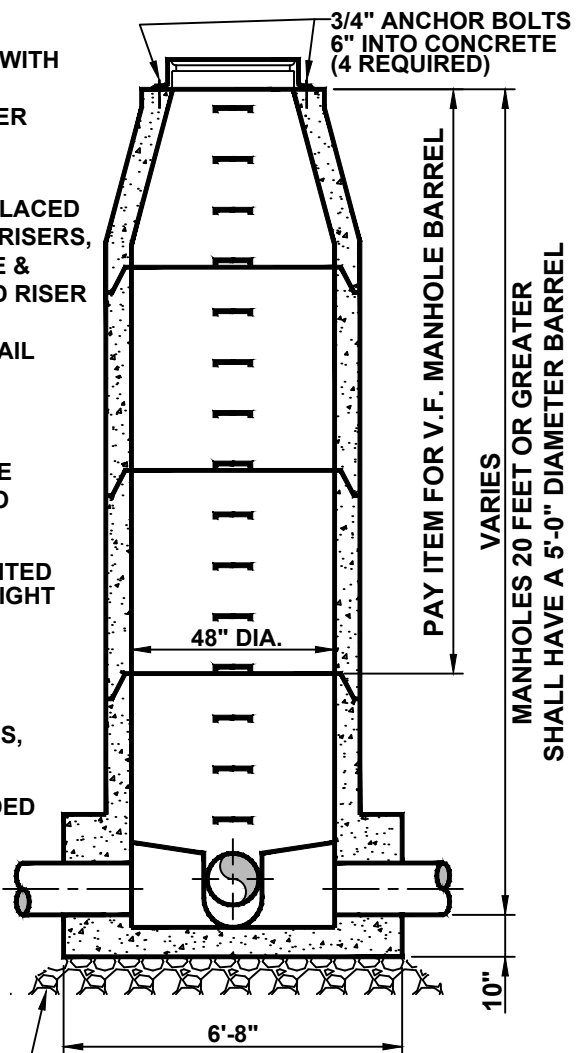
MANHOLE FRAME & COVER
(AS SPECIFIED)

1'-0" MAX. ADJUSTMENT TO GRADE WITH RUBBER OR PRECAST CONCRETE RISERS APPROVED BY THE ENGINEER

JOINTS SHALL BE EQUIPPED WITH FLEXIBLE BUTYL RESIN SEALANT, CON-SEAL OR APPROVED EQUAL PLACED AT ALL MANHOLE BARREL JOINTS, RISERS, AND ONE RING AT MANHOLE FRAME & COVER. ALL MANHOLE BARREL AND RISER JOINTS SHALL BE WRAPPED WITH ENCAPSULATION SYSTEM, SEE DETAIL SD-010-A.

NOTES:

1. PRECAST CONCRETE MANHOLE SECTIONS SHALL CONFORM TO ASTM-C478, LATEST REVISION.
2. LIFTING HOLES SHALL BE POINTED WITH MORTAR, MADE WATERTIGHT & LEFT NEAT & SMOOTH.
3. LADDER BARS (AS SPECIFIED) SEE DETAIL SD-021
4. ALL MANHOLE SLAB TOPS, LIDS, AND CASTINGS SHALL MEET AASHTO H20 STANDARD SPECIFICATION FOR UNINTENDED VEHICULAR TRAFFIC, UNLESS OTHERWISE APPROVED.
5. WATERPROOF EXTERIOR SURFACE WITH 2 COATS BITUMASTIC MATERIAL OR COAL TAR SOLUTION, 8 MILS PER COAT.



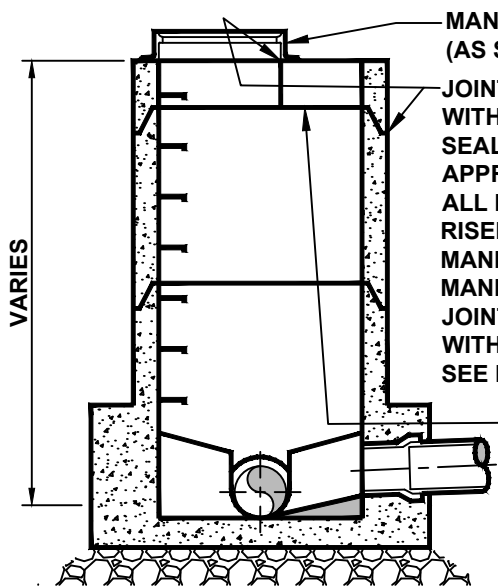
SEE PIPE CONNECTION DETAIL

MINIMUM 6" CRUSHED STONE (TYP.)

*** NOTE:**

SECTION A

IF THIS DIMENSION IS LESS THAN 5'-0" USE A PRECAST CONCRETE SLAB ON TOP AS SHOWN BELOW

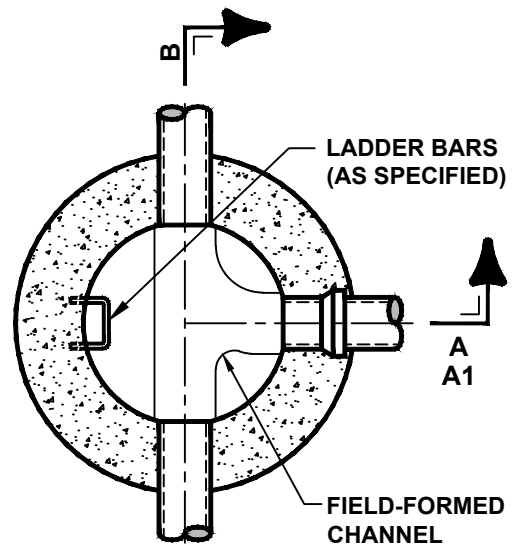


MANHOLE FRAME & COVER
(AS SPECIFIED)

JOINTS SHALL BE EQUIPPED WITH FLEXIBLE BUTYL RESIN SEALANT, CON-SEAL OR APPROVED EQUAL PLACED AT ALL MANHOLE BARREL JOINTS, RISERS, AND ONE RING AT MANHOLE FRAME & COVER. ALL MANHOLE BARREL AND RISER JOINTS SHALL BE WRAPPED WITH ENCAPSULATION SYSTEM, SEE DETAIL SD-010-A.

MANHOLE SLAB TOP TO BE DESIGNED TO MEET LOAD CONDITIONS

SECTION B



PLAN C

SECTION A1

Municipal Authority Of The Township Of South Fayette 900 Presto Sygan Road Bridgeville, Pa 15017		PRECAST CONCRETE MANHOLE FOR SEWERS 8" TO 18"
Not to scale	January 2022	Standard Detail SD-010