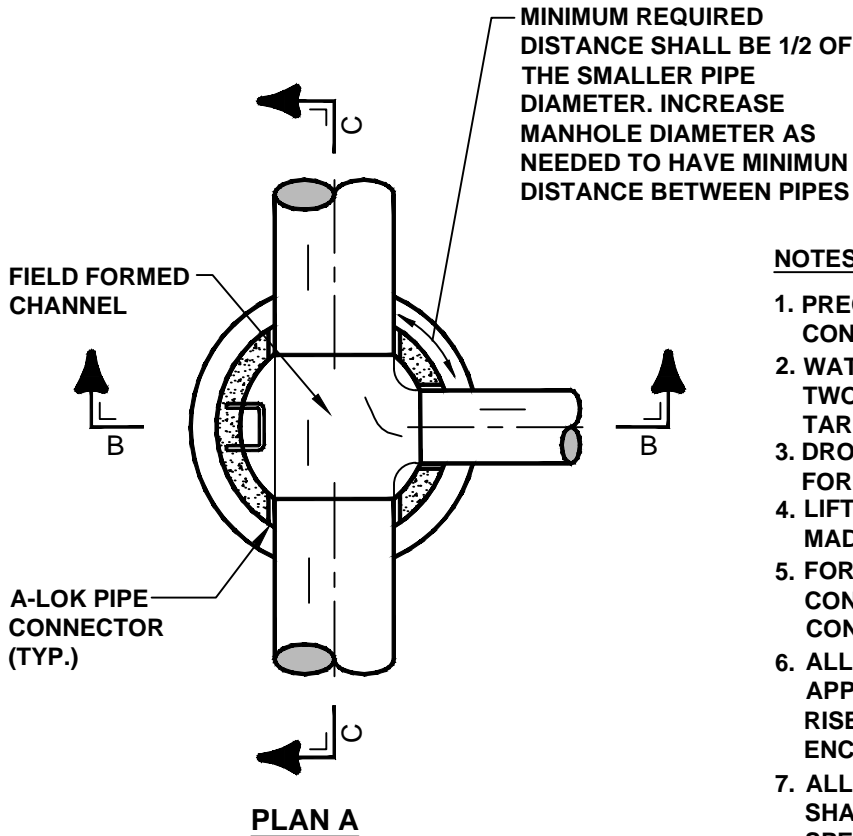


SECTION B

SECTION C



PLAN A

NOTES:

1. PRECAST CONCRETE MANHOLE SECTIONS SHALL CONFORM TO ASTM C478, LATEST REVISION.
2. WATERPROOF EXTERIOR SURFACE WITH TWO COATS BITUMASTIC MATERIAL OR COAL TAR SOLUTION, 8 MILS PER COAT.
3. DROP CONNECTIONS ARE NOT PERMITTED FOR PIPES LARGER THAN 30" DIA.
4. LIFTING HOLES SHALL BE POINTED WITH MORTAR, MADE WATERTIGHT & LEFT NEAT & SMOOTH.
5. FOR DEPTHS LESS THAN 5'-0", INSTALL PRECAST CONCRETE SLAB TOP DESIGNED TO MEET LOAD CONDITIONS. MANHOLE TO BE 60" DIA. FULL DEPTH.
6. ALL JOINTS TO RECEIVE CON-SEAL SEALER, OR APPROVED EQUAL. ALL MANHOLE BARREL AND RISER JOINTS SHALL BE WRAPPED WITH ENCAPSULATION SYSTEM, SEE DETAIL SD-010-A.
7. ALL MANHOLE SLAB TOPS, LIDS, AND CASTINGS SHALL MEET AASHTO H20 STANDARD SPECIFICATION FOR UNINTENDED VEHICULAR TRAFFIC, UNLESS OTHERWISE APPROVED.

Municipal Authority Of The Township Of South Fayette 900 Presto Sygan Road Bridgeville, Pa 15017		PRECAST CONCRETE MANHOLE FOR SEWERS 24" - 48"
Not to scale	January 2022	Standard Detail SD-011