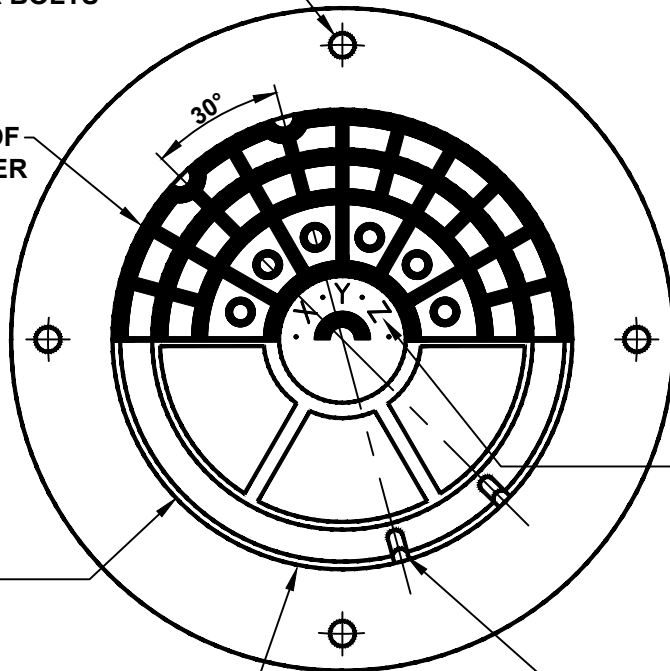
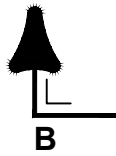


FOUR 1" DIA.
HOLES FOR 3/4"
DIA. ANCHOR BOLTS

NOTE:

SHADED PORTION - HIGH
UNSHADED PORTION - LOW

HALF PLAN OF
TOP OF COVER



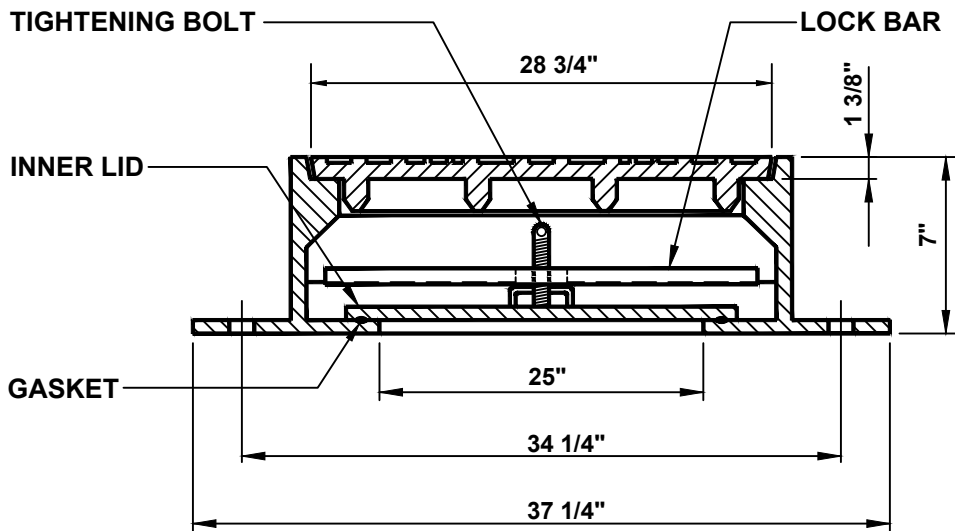
MANHOLE COVERS SHALL BE
INSCRIBED WITH "MATSF SEWERS"

CAST IRON

HALF PLAN OF
UNDERSIDE OF
COVER

BLIND PICK HOLES

PLAN A



SECTION B

<p>Municipal Authority Of The Township Of South Fayette 900 Presto Sygan Road Bridgeville, Pa 15017</p>		<p>WATERTIGHT MANHOLE FRAME AND COVER</p>
<p>Not to scale</p>	<p>January 2022</p>	<p>Standard Detail SD-019</p>