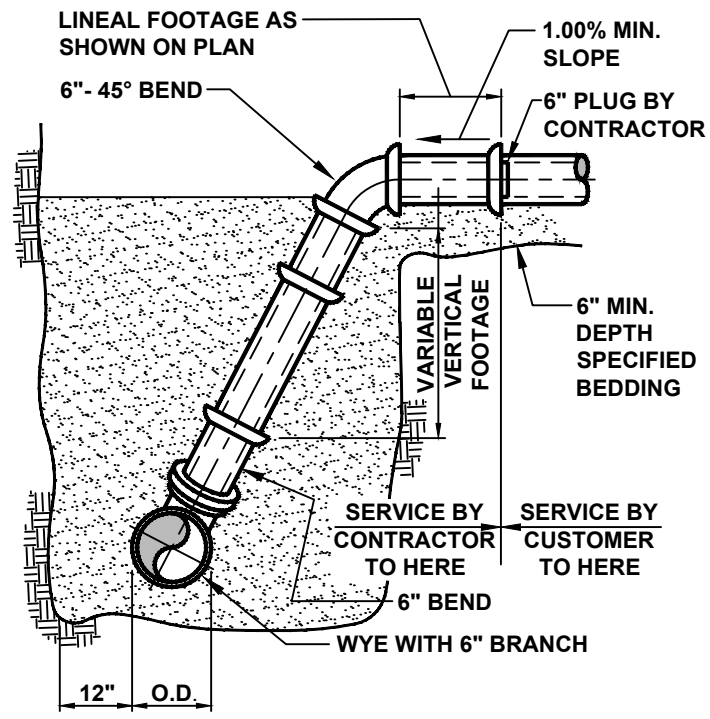
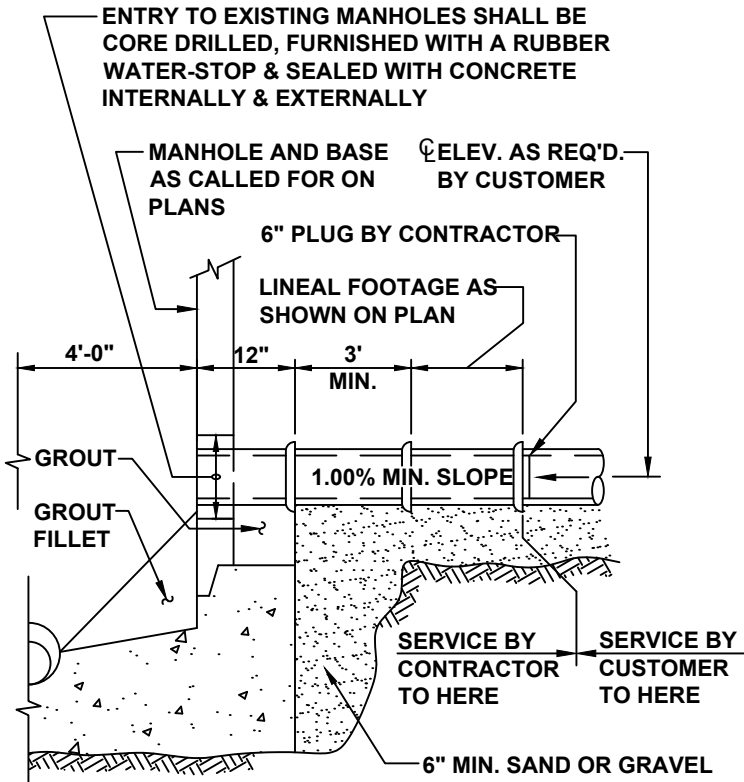


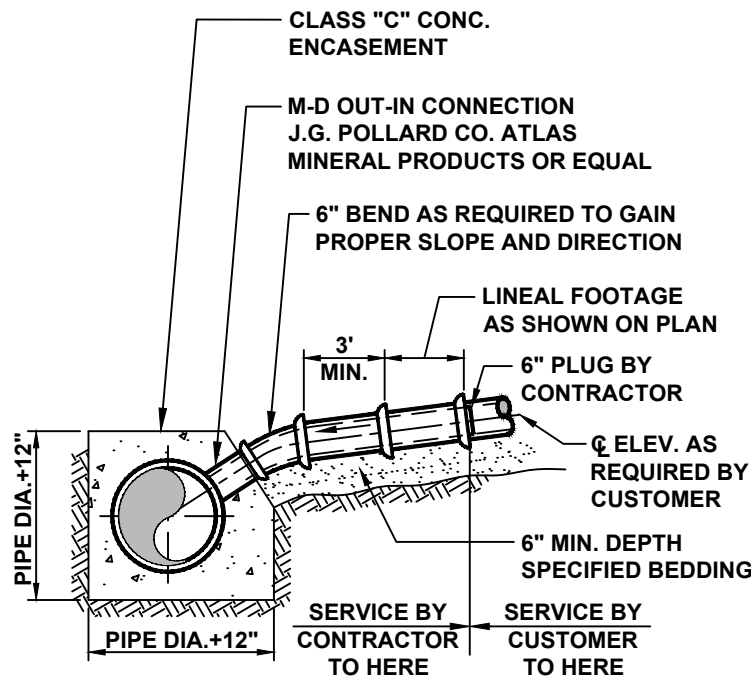
TYPE I



TYPE II



TYPE III



TYPE IV

<p>Municipal Authority Of The Township Of South Fayette 900 Presto Sygan Road Bridgeville, Pa 15017</p>		<p>SERVICE CONNECTIONS</p>
<p>Not to scale</p>	<p>January 2022</p>	<p>Standard Detail SD-024</p>