

NOTE:

VENT PIPES AND CLEANOUTS LOCATED IN DRIVEWAYS, CARPATHS, WALKWAYS, PATIOS, PORCHES, OR OTHER FINISHED SURFACE AREAS SHOULD BE AVOIDED WHEN POSSIBLE.

SIGHT TEE WITH PVC SANITARY CAP, CAST IRON COVER AND LID STAMPED "SEWER"

4" OR 6" BUILDING SEWER OR SEWER SERVICE LINE 14' MAX. JOINT LENGTH

TO COLLECTOR SEWER

4"x 4"x 4" OR 6"x 6"x 6" TEST TEE WITH PLUG. EXTEND TO SURFACE FOR INSPECTION TEE AS REQUIRED.

USE 'FERNCO' TYPE FITTING OR REDUCING COUPLING TO ADAPT VARIOUS MATERIALS AND SIZES OF PIPE AS REQUIRED

NOTE:

1. ALL PIPE SHALL BE 4" OR 6" SCH. 40 PVC OR ABS. SLOPE SHALL BE MIN. 1/4" PER FOOT FOR 4" LINE AND 1/8" PER FOOT SLOPE FOR 6" LINE.

CONDENSED INSTALLATION SPECIFICATIONS

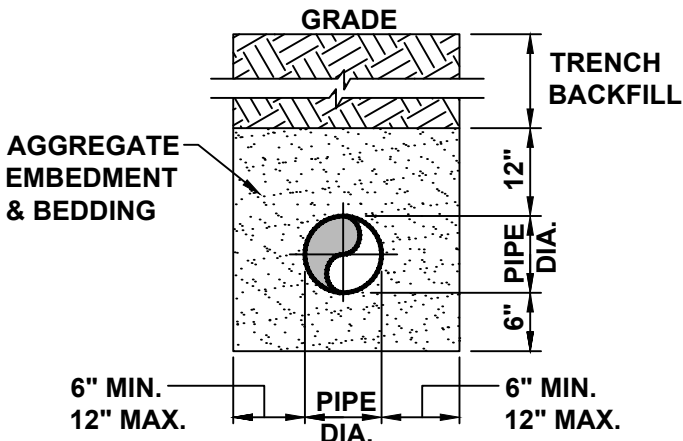
SEWER SERVICE LINE AND SEWER SERVICE CONNECTIONS SHALL BE INSTALLED BY REGISTERED MASTER PLUMBER AT THE COST OF THE CUSTOMER IN ACCORDANCE WITH APPENDIX C OF THE RULES AND REGULATIONS AND DETAILED SPECIFICATIONS OF THE AUTHORITY AND MUST MEET ALL CURRENT ACHD STANDARDS.

2. CLEAN-OUTS SHALL BE INSTALLED AT 50 FOOT INTERVALS FOR 4" PIPE AND 100 FOOT INTERVALS FOR 6" PIPE.

3. SDR 35 PVC MAY BE USED FROM THE DOWNSTREAM SIDE OF THE TRAP TO THE MAIN.

4. ABS PIPE SHOULD NOT BE GLUED TO PVC PIPE.

5. ALL FERNCO CONNECTIONS WHERE PERMITTED SHALL BE BANDED TYPE.



SEWER SERVICE LINE PIPE:

MATERIAL	ASTM SPECIFICATIONS	JOINT	ASTM SPEC.
ABS	D-2751 SCH-40	SOLVENT WELD	D-2751
PVC	D-3034 SDR-35	ELASTOMERIC	D-3212
PVC	D-1875 SCH-40	SOLVENT WELD	D-2564

<p>Municipal Authority Of The Township Of South Fayette 900 Presto Sygan Road Bridgeville, Pa 15017</p>		<p>SERVICE CONNECTION TO SANITARY SEWER FROM A NEW INSTALLATION</p>
<p>Not to scale</p>	<p>January 2022</p>	<p>Standard Detail SD-025</p>