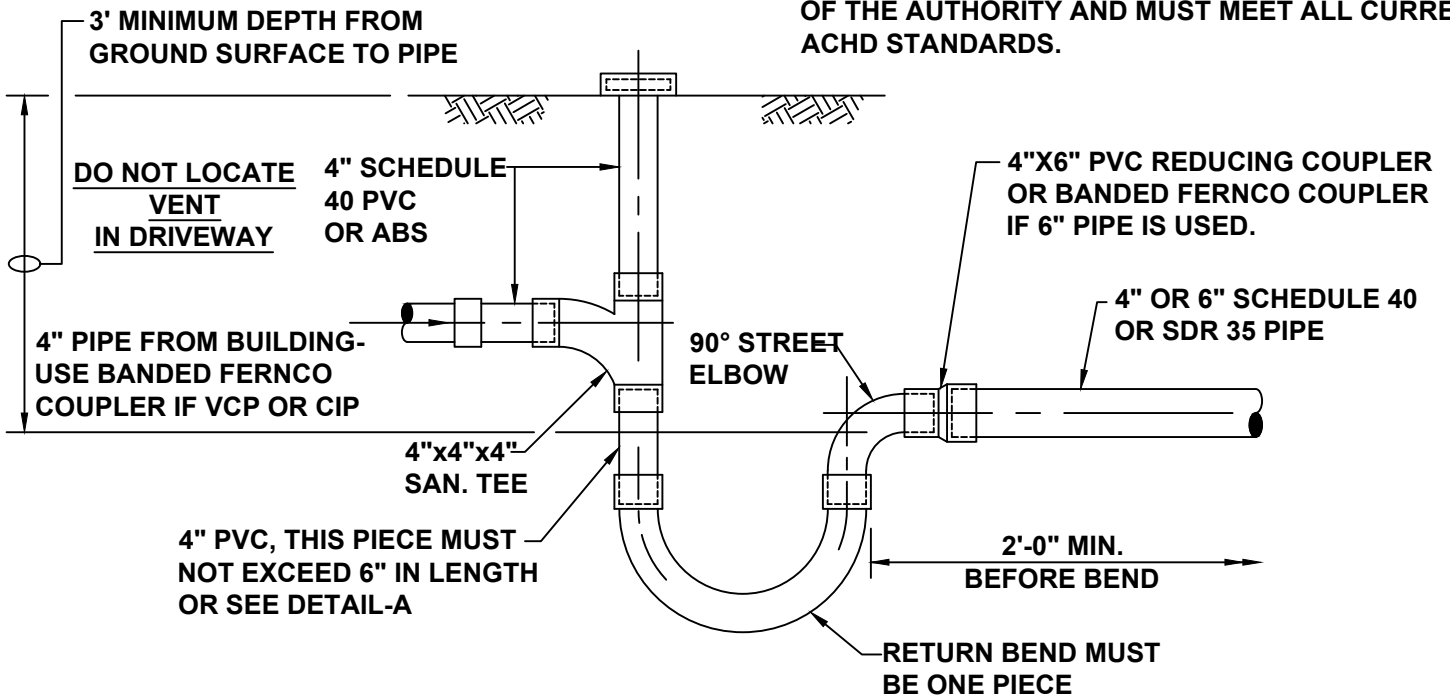


SHALLOW BUILDING SEWER TRAP DETAIL

CONDENSED INSTALLATION SPECIFICATIONS
SEWER SERVICE LINE AND SEWER SERVICE
CONNECTIONS SHALL BE INSTALLED BY REGISTERED
MASTER PLUMBER AT THE COST OF THE CUSTOMER
IN ACCORDANCE WITH APPENDIX C OF THE RULES
AND REGULATIONS AND DETAILED SPECIFICATIONS
OF THE AUTHORITY AND MUST MEET ALL CURRENT
ACHD STANDARDS.



TYPICAL FABRICATED PVC VENT/ TRAP ASSEMBLY

Municipal Authority Of The Township Of South Fayette 900 Presto Sygan Road Bridgeville, Pa 15017		BUILDING SEWER TRAP DETAILS
Not to scale	January 2022	Standard Detail SD-026