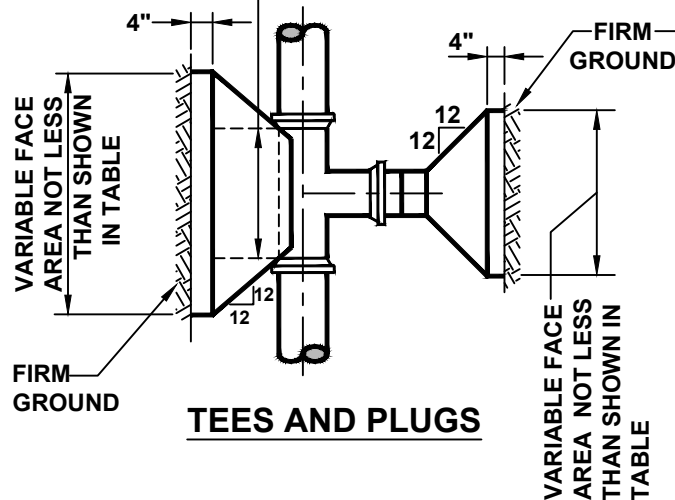
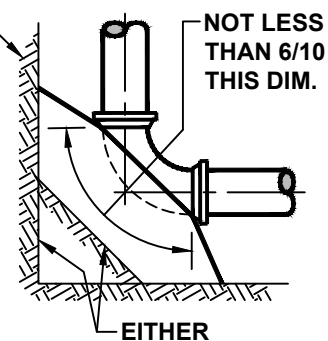


NOT LESS THAN
6/10 THIS DIM.

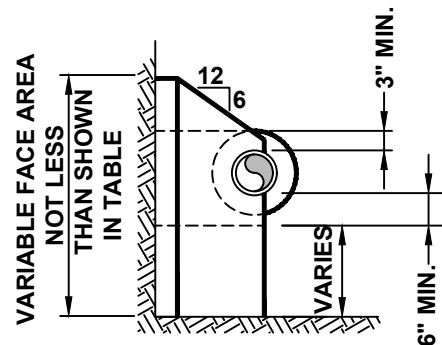


TEES AND PLUGS



NOTE:
OUTSIDE FACE AREA NOT
LESS THAN SHOWN IN TABLE

BENDS



**TEES, WYES,
AND BENDS**

NOTES:

1. ALL TEES, WYES, CROSSES, PLUGS AND BENDS OF 10° OR MORE SHALL BE BLOCKED AGAINST FIRM EARTH WITH CONCRETE.
2. EARTH PRESSURE FIGURED AT 4000 PSF. IF EARTH ENCOUNTERED WILL NOT WITHSTAND THIS PRESSURE, THE AREA OF THE BLOCK MUST BE INCREASED PROPORTIONATELY.
3. ALL FITTINGS SHALL BE WRAPPED IN PLASTIC PRIOR TO POURING CONCRETE BLOCKING.

PIPE SIZE (in)	AREA* (sq in)	TOTAL FORCE (lbs)	AREA OF BLOCK IN SQUARE FEET				
			TEES & PLUGS	90 DEGREE BENDS	45 DEGREE BENDS	22 1/2 DEGREE BENDS	11 1/4 DEGREE BENDS
4	19	4,275	1.1	1.5	1.0	1.0	1.0
6	38	8,550	2.2	3.0	1.6	1.0	1.0
8	65	14,625	3.7	5.2	2.8	1.4	1.0
10	97	21,825	5.5	7.7	4.2	2.1	1.1
12	137	30,825	7.7	10.9	5.9	3.0	1.5
14	184	41,400	10.4	14.6	7.9	4.0	2.1
16	238	53,550	13.4	18.9	10.3	5.2	2.7
18	299	67,275	16.8	23.8	12.9	6.6	3.4
20	367	82,575	20.7	29.2	15.8	8.1	4.1
24	523	117,675	29.4	41.6	22.5	11.5	5.9
30	805	96,600	24.2	34.2	18.5	9.4	4.8
36	1152	138,240	34.6	48.9	26.5	13.5	6.9

CALCULATIONS ARE BASED ON 225 PSI PRESSURE OR 150 PSI WORKING PRESSURE PLUS 50% INCREASE FOR WATER HAMMER FOR SIZES 4" TO 24" INCLUSIVE. FOR SIZES 30" & 36" THE TABLE IS BASED ON 120 PSI PRESSURE OR 75 PSI WORKING PRESSURE PLUS 50% WATER HAMMER.

<p>Municipal Authority Of The Township Of South Fayette 900 Presto Sygan Road Bridgeville, Pa 15017</p>		<p>CONCRETE THRUST BLOCKING</p>
<p>Not to scale</p>	<p>January 2022</p>	<p>Standard Detail SD-029</p>