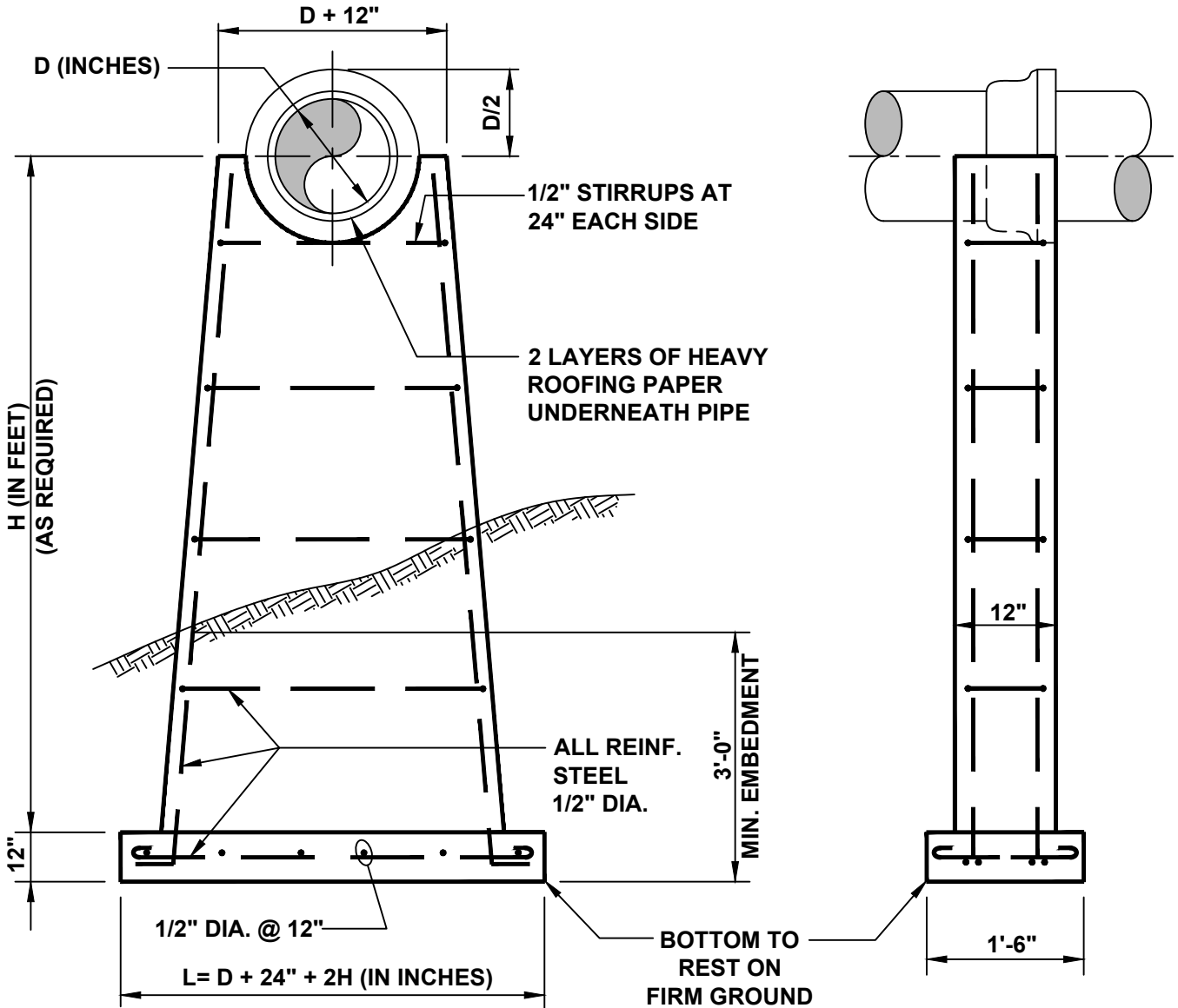


NOTE:

THESE PIERS SHALL BE CONSTRUCTED AT ALL LOCATIONS WHERE PIPE ALIGNMENT OR PROFILE PROHIBITS PIPE SUPPORT ON ORIGINAL UNDISTURBED GROUND. SPACING BETWEEN PIERS SHALL ACCOMODATE PIPE JOINTS UNLESS OTHERWISE SHOWN ON THE THE PLANS OR DIRECTED IN THE FIELD



EXAMPLE: D=12"
 H=10'-0"
 L=12"+24"+(2X10)=56"

Municipal Authority Of The Township Of South Fayette 900 Presto Sygan Road Bridgeville, Pa 15017		PIPE SUPPORT PIERS FOR ALIGNEMENTS ABOVE ORIGINAL UNDISTURBED GROUND
Not to scale	January 2022	Standard Detail SD-033