

TAMPER RESISTANT CAP
SEE 34-C & 34-D

COMPACTED BACKFILL
IN ACCORDANCE WITH
THE CONTRACT
REQUIREMENTS

COMPACTED BACKFILL
IN ACCORDANCE WITH
THE CONTRACT
REQUIREMENTS

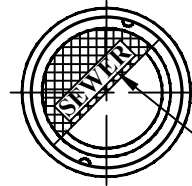
45° BEND

4"x 4" OR 6"x 6" OR 8"x 8"
LATERAL WYE (AS REQUIRED)

EXTEND PIPE BEDDING
MATERIAL TO TOP OF
45° BEND

SANITARY SEWER

IN-LINE CLEANOUT DETAIL A



LOCKING COVER
LETTERED- 'SEWER'

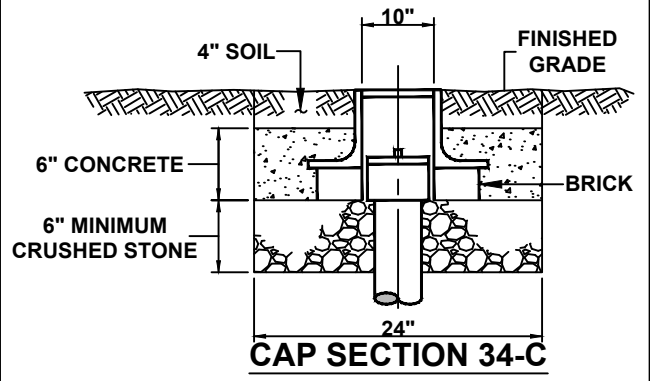
CAP COVER 34-D

TAMPER RESISTANT CAP
SEE 34-C & 34-D

COMPACTED BACKFILL
IN ACCORDANCE WITH
THE CONTRACT
REQUIREMENTS

45° BEND

EXTEND PIPE BEDDING
MATERIAL TO TOP OF
45° BEND



CAP SECTION 34-C

COMPACTED BACKFILL
IN ACCORDANCE WITH
THE CONTRACT
REQUIREMENTS

45° BEND

SANITARY SEWER

END-LINE CLEANOUT DETAIL B

Municipal Authority Of The
Township Of South Fayette
900 Presto Sygan Road
Bridgeville, Pa 15017

MAIN LINE, IN-LINE, AND END LINE
CLEANOUT FOR
6" AND 8" PVC SEWER

Not to scale

January 2022

Standard Detail SD-034